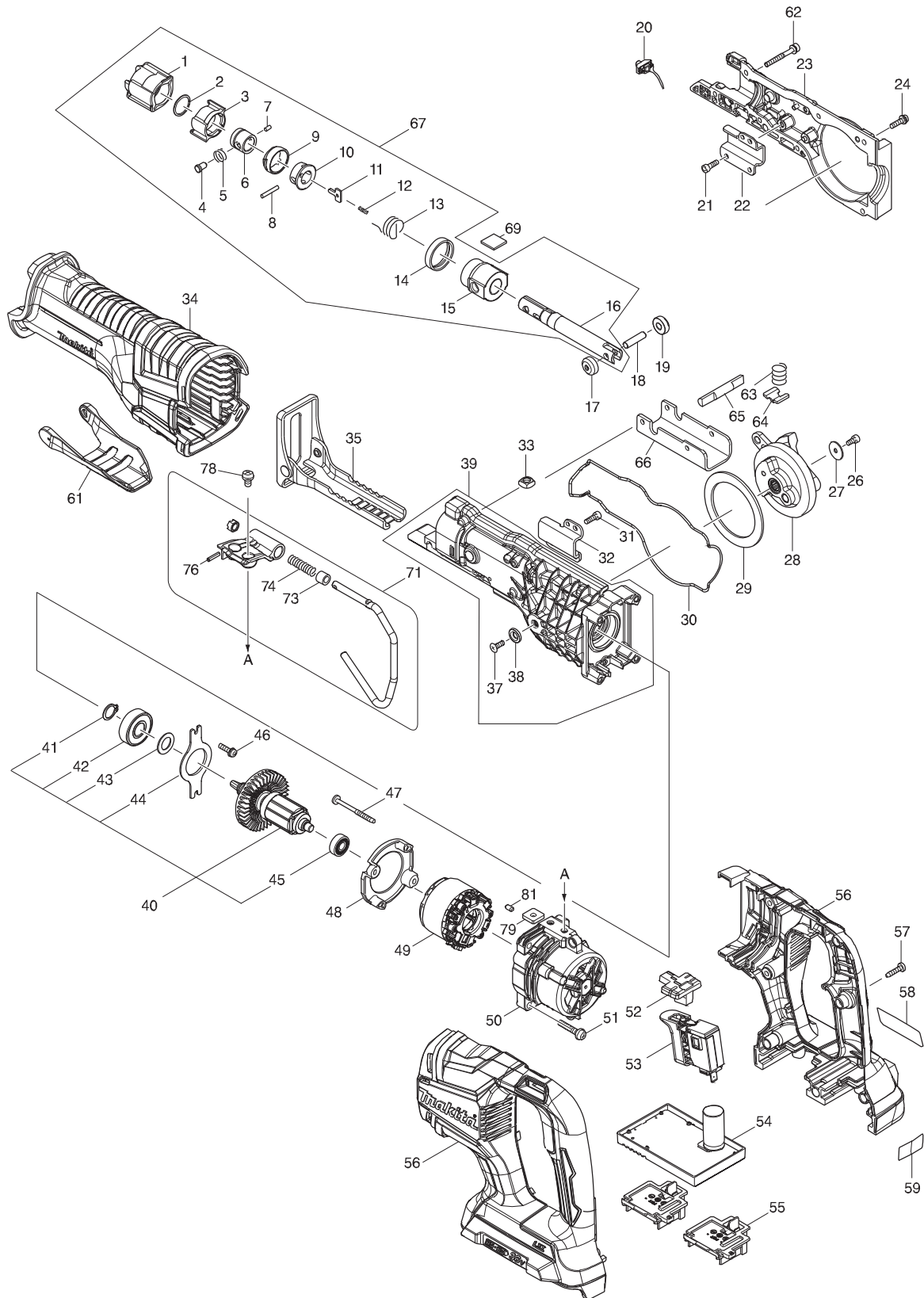




05 - 2016  
DJR360Z  
18VX2 (36V) LXT Brushless Reciprocating Saw



Item No.	Type	Sub	Part No.	Description	Qty	Unit
001			424763-8	PROTECTOR	1	PC.
002	2		257430-8	* RETAINING RING (EXT) 18	1	PC.
003			310662-9	DRIVING SLEEVE	1	PC.
004			256569-4	SHOULDER PIN 5	1	PC.
005			234381-2	COMPRESSION SPRING 6	1	PC.
006	1		331720-8	* GUIDE SLEEVE	1	PC.
	2		327043-0	* GUIDE SLEEVE	1	PC.
007			268094-3	PIN 3	1	PC.
008			256158-5	PIN 3	1	PC.
009			417791-0	DRIVING SLEEVE GUIDE	1	PC.
010			418311-3	SLEEVE	1	PC.
011			345214-7	PUSH PLATE	1	PC.
012			233025-1	COMPRESSION SPRING 2	1	PC.
013			231687-9	TORSION SPRING 17	1	PC.
014			424762-0	RUBBER RING	1	PC.
015			144012-4	SLIDER GUIDE COMPLETE	1	PC.
		INC.	213151-2	OIL SEAL 14	1	PC.
		INC.	213174-0	X RING 14	1	PC.
016			161376-1	SLIDER	1	PC.
017			310663-7	ROLLER	1	PC.
018			268341-2	PIN 6	1	PC.
019			310663-7	ROLLER	1	PC.
020			620434-7	LED CIRCUIT	1	PC.
021	2		265353-6	HEX. SOCKET HEAD BOLT M4X12	2	PC.
022			346936-2	ROD GUIDE R	1	PC.
023			143362-4	GEAR HOUSING R COMPLETE	1	PC.
024			911128-8	PAN HEAD SCREW M4X16	5	PC.
026	2		265911-8	HEX. SOCKET HEAD BOLT M4X8	1	PC.
027			267491-0	FLAT WASHER 4	1	PC.
028	2		140D35-4	* GEAR COMPLETE	1	PC.
029			267490-2	FLAT WASHER 54	1	PC.
030			424764-6	SEAL RING	1	PC.
031	2		265353-6	HEX. SOCKET HEAD BOLT M4X12	2	PC.
032			346935-4	ROD GUIDE L	1	PC.
034			424767-0	INSULATION COVER B	1	PC.
035	1		161374-5	SHOE	1	PC.
	2		161809-6	SHOE	1	PC.
037	2		265135-6	+ COUNTERSUNK HEAD SCREW M4X10	1	PC.
038			253825-3	FLAT WASHER 6	1	PC.
039	3		127462-8	GEAR HOUSING L ASSEMBLY	1	PC.
		INC.		Item No. 37,38		
040	1		519391-3	* ROTOR ASS'Y	1	PC.
		INC.		* Item No. 41-45		
	2		519528-2	* ROTOR ASS'Y	1	PC.
		INC.		* Item No. 41-45		
041			961052-5	RETAINING RING S-12	1	PC.
042			210118-1	BALL BEARING 6201DDW	1	PC.
043			253744-3	FLAT WASHER 12	1	PC.
044			285740-3	BEARING RETAINER 66	1	PC.
045			210062-2	BALL BEARING 607ZZ	1	PC.
046			911128-8	PAN HEAD SCREW M4X16	2	PC.
047	2		266425-0	TAPPING SCREW BIND M4X45	2	PC.
048			456178-1	BAFFLE PLATE	1	PC.
049	1		629180-9	* STATOR	1	PC.
	2		629180-9	* STATOR	1	PC.

Item No.	Type	Sub	Part No.	Description	Qty	Unit
050	2		412476-3	MOTOR HOUSING	1	PC.
051			911243-8	PAN HEAD SCREW M5X25	4	PC.
052			456177-3	CHANGE BUTTON	1	PC.
053			650759-5	SWITCH C3JW-6B-2	1	PC.
054			620455-9	CONTROLLER A	1	PC.
055			644808-8	TERMINAL	2	PC.
056			183C50-9	HANDLE SET	1	PC.
		INC.	263005-3	RUBBER PIN 6	8	PC.
057			266326-2	TAPPING SCREW 4X18	7	PC.
058			851P31-6	NAME PLATE F/DJR360	1	PC.
059			807Y37-6	CAUTION LABEL	1	PC.
061			456176-5	LOCK LEVER	1	PC.
062			266979-7	HEX.SOCKET HEAD BOLT M4X35 WR	2	PC.
063			231231-2	COMPRESSION SPRING 12	1	PC.
064			346938-8	SHOE LOCK PLATE	1	PC.
065			326599-0	LOCK PIN	1	PC.
066			346937-0	SHOE GUIDE PLATE	1	PC.
067	2		127398-1	SLIDER ASSEMBLY	1	PC.
		INC.		Item No. 1-16		
069			424902-0	FELT 16X16	1	PC.
071			123456-1	HOOK ASSEMBLY	1	PC.
		INC.		Item No. 72-77		
073			262561-0	SLEEVE 6	1	PC.
074			233455-6	COMPRESSION SPRING 7	1	PC.
076			951057-3	SPRING PIN 3-12	1	PC.
078			911206-4	PAN HEAD SCREW M5X10	2	PC.
079			264002-2	SQUARE NUT M5	2	PC.
081			263002-9	RUBBER PIN 4	1	PC.
082			620K37-3	* CONTROLLER B	1	PC.
083			638A31-1	* LEAD UNIT	1	PC.
084			652119-7	* PH SCREW M2X6	6	PC.
C01			878583-6	CARTON F/DJR360Z	1	PC.

#### **ACCESSORIES**

**- Visit [www.makita.ca](http://www.makita.ca) for more accessories information -**

A01			194068-7	RECIPRO SAW BLADE 2PC/KIT (F/Metal, F/Wood)	1	KT.
			E-10693	RECIPRO SAW BLADE 3PC/KIT	1	KT.
A02			---	18V LI-ION BATTERY		
A03			---	BATTERY CHARGER		
A04			---	LI-ION BATTERY ACCESSORIES		

## SERVICE CHANGES

### 1. Gear Complete, Rotor Assembly (T/I# C2638)

Item No.	Description	Type 1	Type 2
28	Gear Complete	143359-3	140D35-4
40	Rotor Ass'Y	519391-3	519528-2

Above parts are interchangeable as a set

### 2. Guide Sleeve and Retaining Ring (T/I#C8033)

Item No.	Description	Type 1	Type 2
2	Retaining Ring	257952-8	257430-8
6	Guide Sleeve	331720-8	327043-0

Above parts are interchangeable as a set

### 3. Change on Stator (T/I#DK477)

Item No.	Description	Type 1	Type 2
49	STATOR	629180-9	629C12-8
82	CONTROLLER B	-----	620K37-3
83	LEAD UNIT	-----	638A31-1
84	PAN HEAD SCREW M2X6	-----	652119-7

Above parts are interchangeable as a set

\*See T/I#DK477 for wiring.